

DRM300 construction Codes

To simplify and integrate the new functional implementations of the DRM300 control unit, is updated and introduced a new encoding.

Are available two version for **20A** : "**compact**" & "**large**".

The "**compact**" series are available with the connection for: n. **1** and n. **4** motors.

The "**large**" series are available with the connection for: n. **2** and n. **8** motors.

All the versions are available with **IP20** and **IP55** protection box.

For Mechanical Dimension, see at the attached tables.

Choose & Build the CODE

| | | | | | | | | | |
|---------------|----------|-----------|-----------|----------|----------|----------|----------|----------|----------|
| ZN DRM | a | bb | cc | d | e | f | g | h | i |
|---------------|----------|-----------|-----------|----------|----------|----------|----------|----------|----------|

| | | | | | | | | | |
|----------------|--------------|----------|-----------|-----------|----------|----------|----------|----------|----------|
| Position | a | bb | cc | d | e | f | g | h | i |
| Example | ZNDRM | 3 | 12 | 40 | 1 | 0 | 0 | S | 0 |

| Position | Description | | |
|-----------|------------------------------|-----------|--|
| a | Supply type | 3 | Three-phases |
| bb | Maximum Load at 50°C ambient | 08 | 8A |
| | | 12 | 12A |
| | | 20 | 20A |
| | | 28 | 28A |
| | | 30 | 30A* only IP20 |
| cc | Power supply range | 40 | 400Vac ±20% std. |
| | | 48 | 480Vac ±10% on request |
| | | 23 | 230Vac ±10% on request |
| | | ** | Others power supply on request |
| d | Motors connections | 1 | 1 motor std. compact box (for 8A, 12A, 20A) |
| | | 2 | 2 motors std. large box (for 20A, 28A, 30A) |
| | | 4 | 4 motors kompact box (for 8A, 12A, 20A/) on request |
| | | 8 | 8 motors large box (for 20A/, 28A, 30A) on request |
| e | Not used | 0 | - |
| f | Not used | 0 | - |
| g | Protection box | S | IP 55 low-bottom std. |
| | | A | IP 55 high-bottom on request |
| | | G | IP 20 on request |
| | | P | IP 00 on request |
| h | Client special request code | 0 | Selpro standard |
| | | x | Client code |
| i | Revision code | 0 | Product update index |

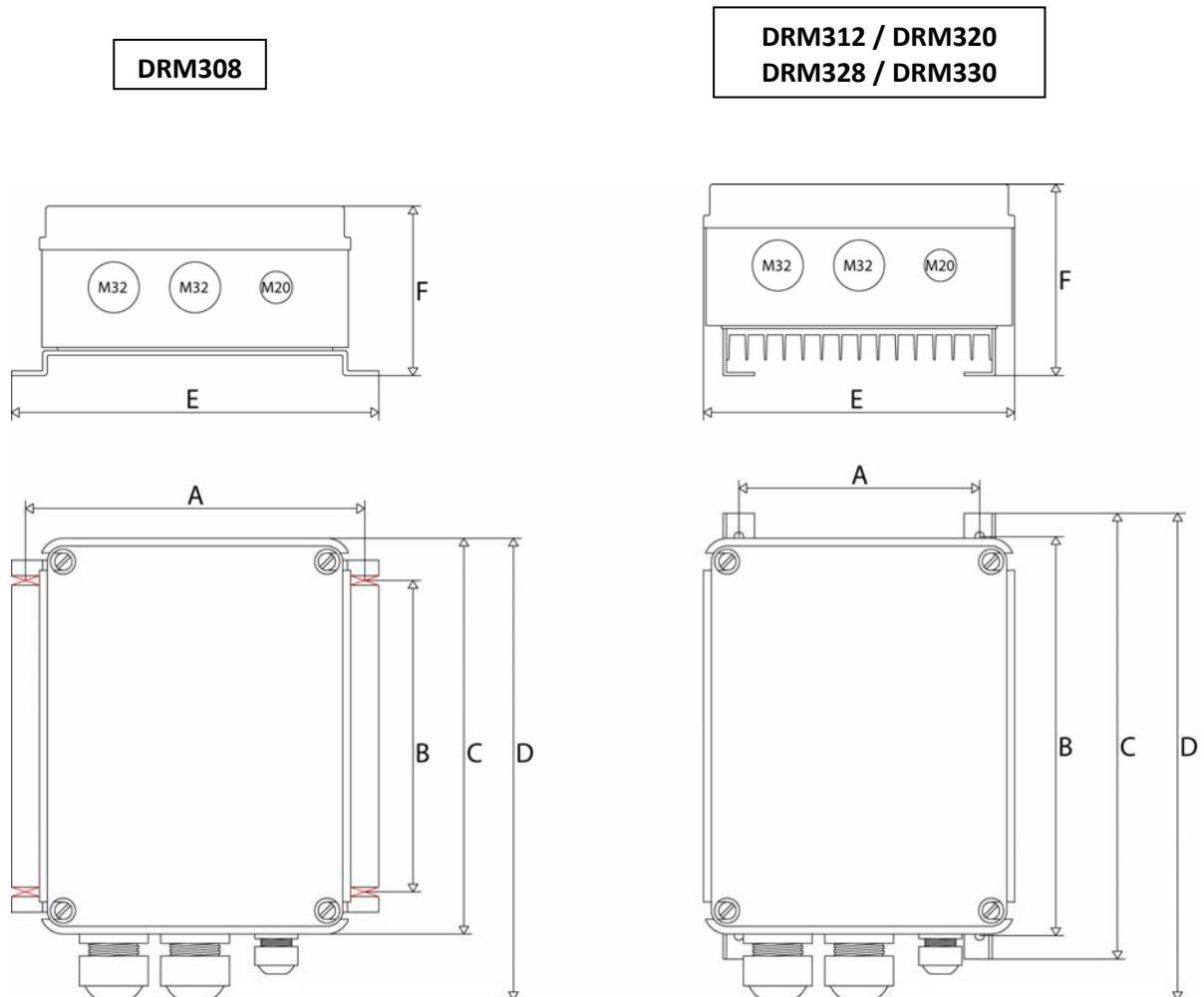
N.B.: for OUT of STANDARD, write us to sales@selpro.it

DRM300 series Mechanical Dimensions IP20 & IP55 Low-BOTTOM ("S" code)

| Code | Motor/s Output | Fixing holes (mm) | | | Maximum dimensions (mm) | | | | Weight (kg) ** |
|-----------|----------------|-------------------|-----|---|-------------------------|-----|-----|-----|----------------|
| | | A | B | Ø | C | D | E | F | |
| DRM 308 | 1 / 4 | 217 | 199 | 6 | 253 | 295 | 235 | 113 | 2.5Kg |
| DRM 312 | 1 / 4 | 154 | 255 | | 285 | 311 | 199 | 128 | 2.7Kg |
| DRM 320 | 1 / 4 | 174 | 255 | | 285 | 311 | 199 | 157 | 3.9Kg |
| DRM 320 | 2 / 8 | 187 | 320 | | 350 | 374 | 236 | 178 | 4.7Kg |
| DRM 328 | 2 / 8 | 174 | 320 | | 350 | 374 | 236 | 200 | 5.6Kg |
| DRM 330 * | 2 / 8 | 174 | 320 | | 350 | 374 | 236 | 200 | 5.6Kg |

(*) Available only for IP20

(**) Packaging included

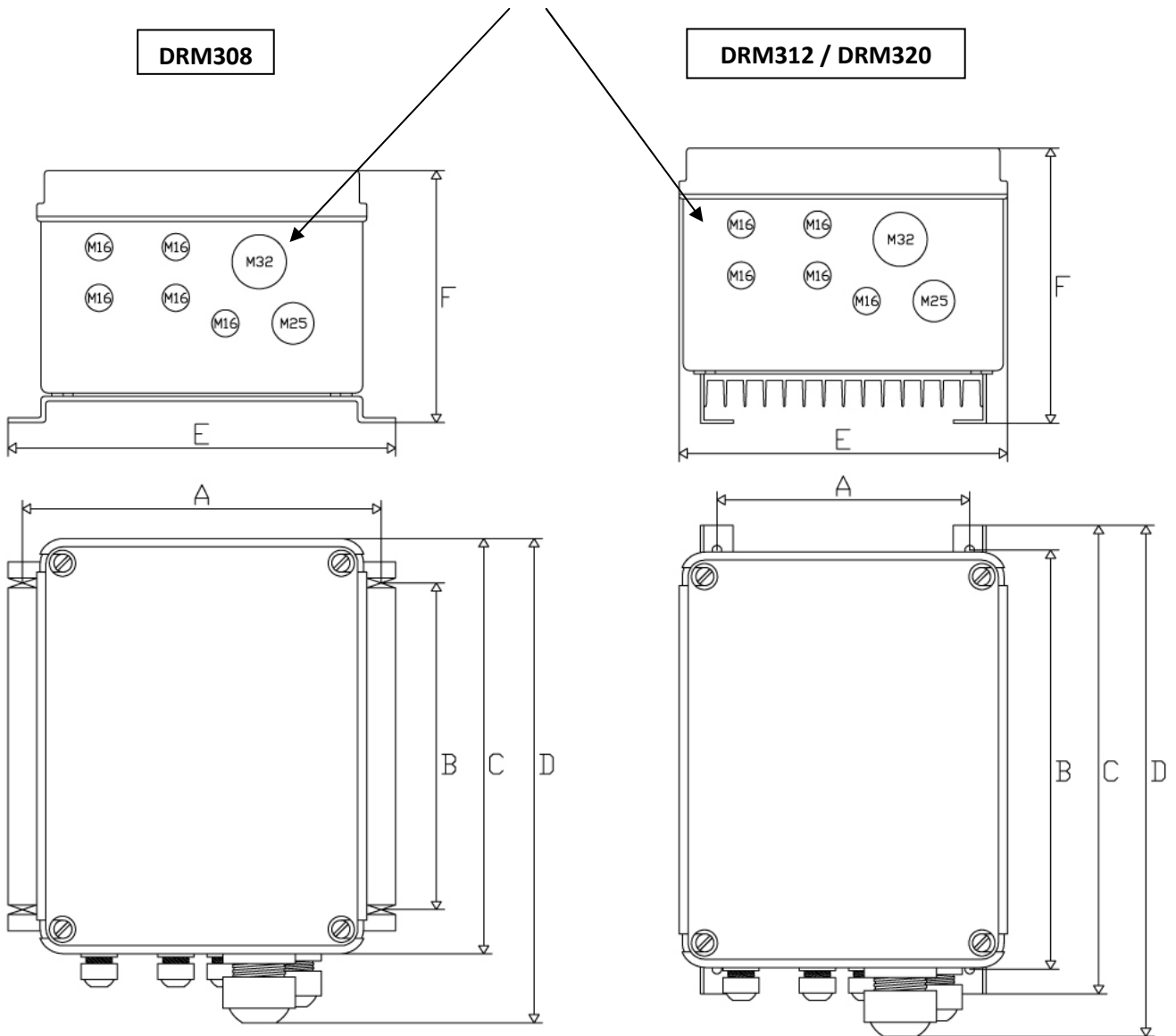


DRM300 series Mechanical Dimensions IP20 & IP55 High-BOTTOM ("A" code)

| Model | Motor Output | Fixing (mm) | | | Maximum dimensions (mm) | | | | Weight (kg)** |
|---------|--------------|-------------|-----|---|-------------------------|-----|-----|-----|---------------|
| | | A | B | Ø | C | D | E | F | |
| DRM308 | 1 / 4 | 217 | 199 | 6 | 253 | 295 | 235 | 154 | 2.7Kg |
| DRM312 | 1 / 4 | 154 | 255 | 6 | 285 | 311 | 199 | 167 | 2.9Kg |
| DRM320 | 1 / 4 | 174 | 255 | 6 | 285 | 311 | 199 | 198 | 4.1Kg |
| DRM320 | 2 / 8 | 187 | 320 | 6 | 350 | 374 | 237 | 229 | 4.9Kg |
| DRM328 | 2 / 8 | 174 | 320 | 6 | 350 | 374 | 237 | 248 | 5.8Kg |
| DRM330* | 2 / 8 | 174 | 320 | 6 | 350 | 374 | 237 | 248 | 5.8Kg |

(*) Available only for IP20
 (***) Packaging included

**Different Connections holes
on request**



DRM320 / DRM328 / DRM330

